

HARWI 130

Industrial saw benches



HARWI 130

Industrial saw benches

BASIC - PREMIUM - PRO

HARWI 130

The **icon** among all circular saws is without a doubt the **Harwi 130**.

The Harwi 130 is known worldwide for its **high quality** and **longevity**.

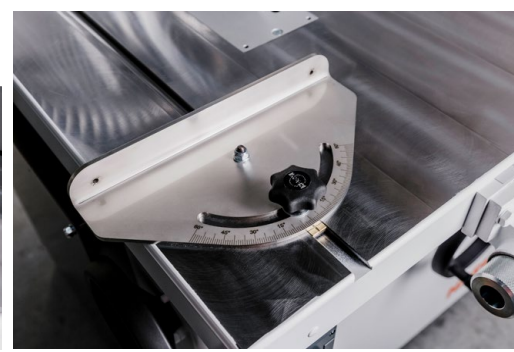
A **rock solid design** with a perfect finish ensures that every professional is well served. Harwi has divided the 130 models into three versions:

BASIC, PREMIUM & PRO. By choosing three fixed models, we are able to provide and advise every customer with the best possible **sawing solution**, fast delivery and good service.



Specifications

| Type | Harwi 130 basic | Harwi 130 premium | Harwi 130 pro |
|--------------------------|------------------------|------------------------|------------------------|
| Height of cut | 0-110 mm | 0-135 mm | 0-135 mm |
| Sawing height at 45° | 80 mm | 95 mm | 95 mm |
| Diameter saw blade | Ø 400 mm | Ø 450 mm | Ø 450 mm |
| Saw blade bore | Ø 30 mm | Ø 30 mm | Ø 30 mm |
| Width of cut | 625 or 1250 mm | 625 or 1250 mm | 625 or 1250 mm |
| Saw blade tilting | 0-45° | 0-45° | 0-45° |
| Motor power | 5.5 kW (7.5 pk) | 7.5 kW (10 pk) | 7.5 kW (10 pk) |
| Voltage | 400V/3~ | 400V/3~ | 400V/3~ |
| Saw blade speed | 2800 tpm | 2800 tpm | 2800 tpm |
| Diameter dust extraction | 1 x 100 mm, 1 x 120 mm | 1 x 100 mm, 1 x 120 mm | 1 x 100 mm, 1 x 120 mm |
| Weight | 320 kg | 350 kg | 365 kg |



Model specifications

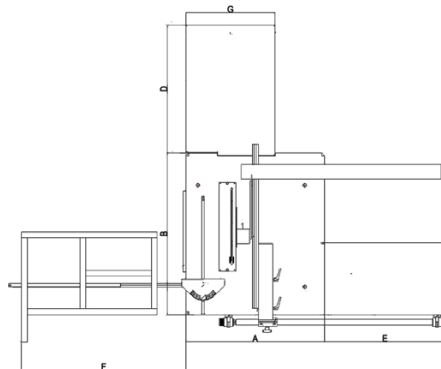
| | Harwi 130 basic | Harwi 130 premium | Harwi 130 pro |
|--|-----------------|-------------------|---------------|
| Manual operation | ✓ | ✓ | X |
| Digitale read out height & tilt adjustment | X | 0 | ✓ |
| Electric height and tilt adjustment | X | X | ✓ |
| Cutting height 135mm * | 0 | ✓ | ✓ |
| Motor power 7.5 kW (10 pk) | X | ✓ | ✓ |
| Cross cut sliding table 1250 mm | 0 | 0 | 0 |

✓ = standard X = not possible 0 = optional

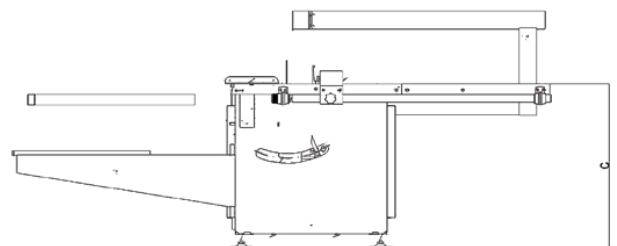
* Only available as an option, will be delivered as a separate mounting set with the basic machine

Harwi 130

- A= 970mm
- B= 1130mm
- C= 900mm
- D= 910mm
- E= 840mm
- F= 1240mm
- G= 400mm



Top view with cross cut table



Front view with cross cut table



Our mission

Through combining experience and craftsmanship with service and development, we strive for an optimal working environment in which safety, ergonomics and health come first.

The robust nature and the long service life of our machines characterize our passion for technology. Our core business is the delivery of standard sawing solutions in the wood industry. However we also use our expertise and knowledge to aid our customers in process specific sawing solutions.

Our company

Harwi has been producing its sustainable sawing machines in Helmond in Brabant since 1960. Our specialization and expertise in the wood industry in particular has been ensuring satisfied customers for years.

Providing innovative sawing solutions within the Netherlands and abroad is the foundation of our organization. Within this foundation we prioritize user friendliness and quality.

Check all our machines and options

www.harwi.nl

Harwi Holland BV

Lage Dijk 28

5705 BZ Helmond

Nederland

T +31 (0)492 54 33 55

sales@harwi.nl

www.harwi.nl



BUILT TO LAST