

HARWI 210

Industrial saw benches



HARWI 210

Industrial saw benches

BASIC - PREMIUM - PRO

HARWI 210

The **Harwi 210** circular saw is the **ultimate rip and crosscut saw** for heavy industrial purposes. This machine is unique in its kind due to its **powerfull engine** and cutting height. The sawing blade is adjustable trough the ergonomic control panel. The **Harwi 210** is available in three models: **Basic, Premium and Pro.**

By choosing three fixed models, we are able to advise every customer with the **best possible sawing solution.**



Specifications

Type	Harwi 210 basic	Harwi 210 premium	Harwi 210 pro
Height of cut	0-180 mm	0-205 mm	0-205 mm
Sawing height at 45°	120 mm	140mm	140mm
Diameter saw blade	Ø 500 mm	Ø 550 mm	Ø 550 mm
Saw blade bore	Ø 30 mm	Ø 30 mm	Ø 30 mm
Width of cut	625 or 1250 mm	625 or 1250 mm	625 or 1250 mm
Saw blade tilting	0-45°	0-45°	0-45°
Motor power	7.5 kW (10 pk)	11 kW (15 pk)	11 kW (15 pk)
Voltage	400V/3~	400V/3~	400V/3~
Saw blade speed	2500 tpm	2500 tpm	2500 tpm
Diameter dust extraction	1 x 100 mm, 1 x 120 mm	1 x 100 mm, 1 x 120 mm	1 x 100 mm, 1 x 120 mm
Weight	600 kg	650 kg	650 kg



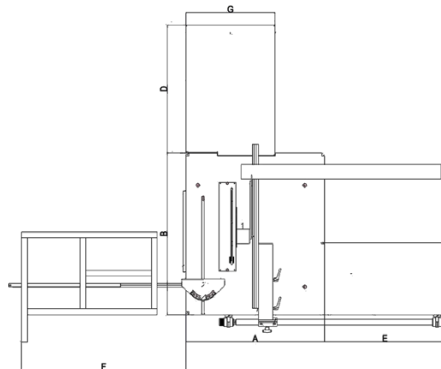
Model specifications

	Harwi 210 basic	Harwi 210 premium	Harwi 210 pro
Manual operation	X	X	X
Digitale read out height & tilt adjustment	X	X	✓
Electric height and tilt adjustment	✓	✓	✓
Cutting height 205mm	X	✓	✓
Motor power 7.5 kW (10 pk)	✓	X	X
Cross cut sliding table 1250 mm	0	0	0

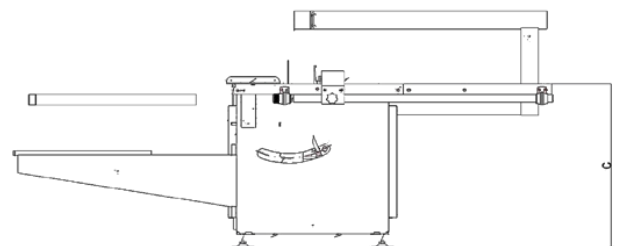
✓ = standard X = not possible 0 = optional

Harwi 210

- A= 1160mm
- B= 1340mm
- C= 950mm
- D= 910mm
- E= 840mm
- F= 1340mm
- G= 400mm
- Height control panel = C + 900mm



Top view with cross cut table



Front view with cross cut table



Our mission

Through combining experience and craftsmanship with service and development, we strive for an optimal working environment in which safety, ergonomics and health come first.

The robust nature and the long service life of our machines characterize our passion for technology. Our core business is the delivery of standard sawing solutions in the wood industry. However we also use our expertise and knowledge to aid our customers in process specific sawing solutions.

Our company

Harwi has been producing its sustainable sawing machines in Helmond in Brabant since 1960. Our specialization and expertise in the wood industry in particular has been ensuring satisfied customers for years.

Providing innovative sawing solutions within the Netherlands and abroad is the foundation of our organization. Within this foundation we prioritize user friendliness and quality.

Check all our machines and options

www.harwi.nl

Harwi Holland BV

Lage Dijk 28

5705 BZ Helmond

Nederland

T +31 (0)492 54 33 55

sales@harwi.nl

www.harwi.nl

