

HARWI 450-W

Radial arm saw



HARWI 450-W

Radial arm saw

450-W PRO

HARWI 450-W

The **Harwi 450-W** radial arm saw is known for its **flexibility and strength**. The $\varnothing 520$ mm carbide tipped saw blade maintains its zero point at all times in terms of both the **inclination and the rotation**. The inclination of the saw blade is electronically controlled and can be read out **digitally**. The rotation of the machine is manually operated from the front of the machine that also can be **read out digitally**. The saw blade is indirectly driven by a powerful 5.5 kW (7.5 hp) motor. The 450-W cuts **smoothly through the material** with the help of the oil brake cylinder to ensure a perfect result. With a standard cutting **height of 205 mm** and a cutting length of 450 mm, this is a versatile machine. On request available with our new **Quickstop** length measuring system



Specifications

Type	Harwi 450-W
Height of cut	205 mm
Sawing height at 45°	Left 40 mm - Right 125 mm
Length of cut	450 mm
Inclination saw unit	45° - 90° - 135°
Rotation saw unit	45° - 90° - 135°
Height adjustment	60 mm
Diameter saw blade	∅ 520 mm
Saw blade bore	∅ 55 mm
Motor power	5.5 kW (7.5 pk)
Voltage	400V/3~
Spindle speed	2800 tpm
Diameter dust extraction	1 x 100 mm
Weight	440 kg

* It is possible to equip the 450-W Pro with the new Harwi Quickstop length measuring system and roller tables.



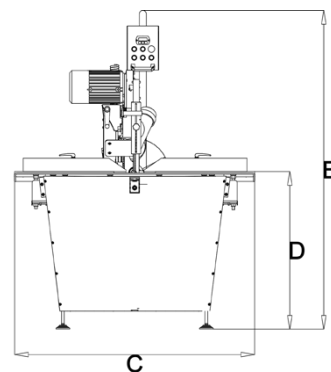
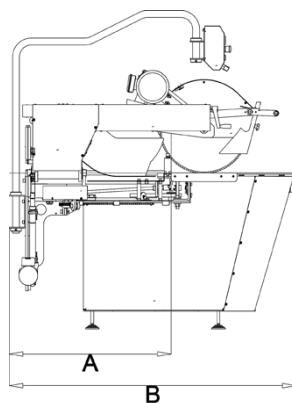
Harwi 450-W

Length x height of cut

		Inclination left			Straight	Inclination right		
		45°	60°	75°	90°	105°	120°	135°
Rotation left	45°	-	325x130	325x175	325x205	325x190	325x165	325x125
	60°	-	393x130	393x175	393x205	393x190	393x165	393x125
	75°	-	435x130	435x175	435x205	435x190	435x165	435x125
Straight	90°	175x75	450x130	450x175	450x205	450x190	450x165	450x170
	105°	320x75	435x130	435x175	435x205	435x190	435x165	435x170
Rotation right	120°	393x75	393x130	393x175	393x205	393x190	393x165	393x145
	135°	325x75	325x130	325x175	325x205	325x190	325x165	325x100

Measurements

A=950 mm
B=1800 mm
C=1400 mm
D=900 mm
E=1900 mm





Our mission

Through combining experience and craftsmanship with service and development, we strive for an optimal working environment in which safety, ergonomics and health come first.

The robust nature and the long service life of our machines characterize our passion for technology. Our core business is the delivery of standard sawing solutions in the wood industry. However we also use our expertise and knowledge to aid our customers in process specific sawing solutions.

Our company

Harwi has been producing its sustainable sawing machines in Helmond in Brabant since 1960. Our specialization and expertise in the wood industry in particular has been ensuring satisfied customers for years.

Providing innovative sawing solutions within the Netherlands and abroad is the foundation of our organization. Within this foundation we prioritize user friendliness and quality.

Check all our machines and options

www.harwi.nl

Harwi Holland BV

Lage Dijk 28

5705 BZ Helmond

Nederland

T +31 (0)492 54 33 55

sales@harwi.nl

www.harwi.nl

