

HARWI 625

625-H / 625-U

Radial arm saw



HARWI 625

Radial arm saw



HARWI 625-H

This classic Harwi machine is a combination of simplicity and performance. The **Harwi 625-H** covers everything you are looking for in a robust radial saw. This machine is equipped with a **400 mm ø HM saw blade** with an effective **cutting height of 135 mm** and is directly driven by a **3 kW (4 hp) motor**. The sturdy base ensures a solid work table with a **cutting length of 625 mm**.



HARWI 625-U

In addition to the standard robustness, the **625-U model** also gives you the flexibility of miter cutting and double miter cutting. This saw is driven by a **3 kW (4 hp) motor** and has a **cutting height of 135 mm**. With this model the arm can rotate to **45°** and the saw unit can incline to **45°**.

Specifications

Type	Harwi 625-H	Harwi 625-U
Height of cut	135 mm	135 mm
Max.	210 mm	185 mm
Sawing height at 45°	-	70 mm
Length of cut	625 mm	625 mm
Length of cut at 45° with saw tilting	-	625 mm
Length of cut with arm rotation 45°	-	400 mm
Height adjustment	95 mm	0 mm
Diameter saw blade (standard)	Ø 400 mm	Ø 400 mm
Diameter saw blade (max)	Ø 550 mm	Ø 500 mm
Saw blade bore	Ø 30 mm	Ø 30 mm
Arm rotation	-	0-45°
Motor power	3 kW (4 hp)	3 kW (4 hp)
Voltage	400V/3~	400V/3~
Spindle speed	2800 rpm	2800 rpm
Diameter dust extraction	1 x 120 mm 1 x 80 mm	1 x 120 mm 1 x 80 mm
Weight	211 kg	218 kg



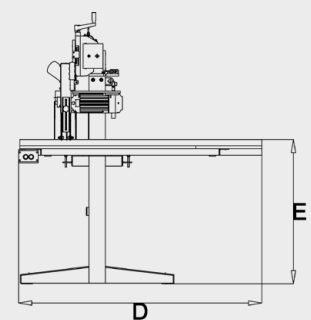
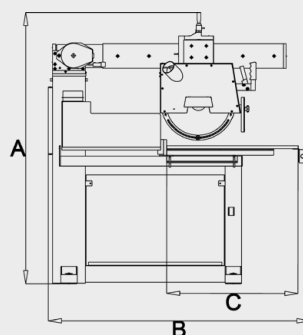
Options

- Height of cut 160 mm
Incl. 3 kW motor / incl. saw blade Ø 450 mm
- Height of cut 185 mm
Incl. 5 kW motor heavy duty brake / excl. saw blade Ø 500 mm
- Height of cut 210 mm*
Incl. 5 kW motor heavy duty brake / excl. saw blade Ø 550 mm
- Automatic saw movement till 625 mm
Incl. 2 pneumatic clamps
- Frequency converter 3 kW (rpm saw blade)
- Frequency converter 5 kW (rpm saw blade)
- 1 pneumatic clamp
- 2 pneumatic clamps
- Milling kit

* Only available for the 625-H

Measurements

Type	Harwi 625-H	Harwi 625-U
A	1650 mm	1650 mm
B	1450 mm	1450 mm
C	800 mm	800 mm
D	940 mm	1470 mm
E	625 mm	860 mm





Our mission

Through combining experience and craftsmanship with service and development, we strive for an optimal working environment in which safety, ergonomics and health come first.

The robust nature and the long service life of our machines characterize our passion for technology. Our core business is the delivery of standard sawing solutions in the wood industry. However we also use our expertise and knowledge to aid our customers in process specific sawing solutions.

Our company

Harwi has been producing its sustainable sawing machines in Helmond in Brabant since 1960. Our specialization and expertise in the wood industry in particular has been ensuring satisfied customers for years.

Providing innovative sawing solutions within the Netherlands and abroad is the foundation of our organization. Within this foundation we prioritize user friendliness and quality.

Check all our machines and options

www.harwi.nl

Harwi Holland BV

Lage Dijk 28

5705 BZ Helmond

The Netherlands

T +31 (0)492 54 33 55

sales@harwi.nl

www.harwi.nl

