

HARWI Multimatic

Radial arm saw



BUILT TO LAST

HARWI Multimatic

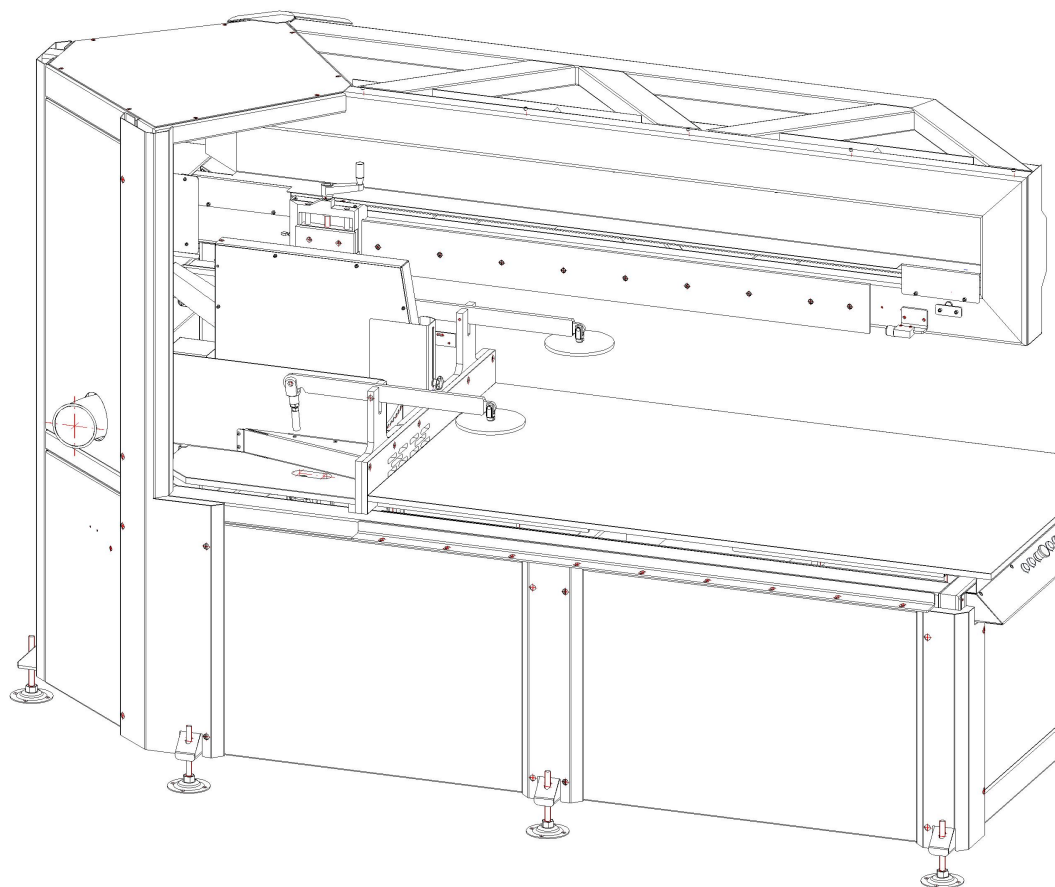
Radial arm saw

Multimatic

The **Multimatic** has been **specifically** developed for **processing** industrial-sized insulation panels with a top layer of aluminum or steel. The machine can be loaded from the **front** because of its **open C-frame**. The strong clamping and the adjustable automatic sawing movement ensures a safe and **ergonomic working method**. The sawing machine can be complemented with heavy roller conveyors **manufactured by Harwi**. The conveyors can be equipped with a **manual or digital** length measuring system.

The Multimatic is only available in the **Pro version**.

Sawing **insulation panels** has never been easier. The Multimatic is a time saving machine, it improves the safety of the operator, a high **quality** cut and ensures a **fast return of investment**.



Specifications

Harwi Multimatic

| | |
|----------------------------|----------------------|
| Height of cut (fixed) | 210 mm |
| Length of cut | 1250 mm |
| Diameter saw blade | ø 600mm |
| Saw blade bore | ø 40 mm |
| Motor power | 5.5 kW (7,5 pk) |
| Voltage | 400V/3~ |
| Air pressure clamping | 3 bar |
| Spindle speed / adjustable | 900rpm / 1850 rpm |
| Diameter dust extraction | 1 x 120 mm 1 x 80 mm |
| Weight | ± 1150 kg |



Model specifications

| | | | |
|----------------------------------|---|--|---|
| Two-hand operation | ✓ | Automatic sawing movement | ✓ |
| Adjustable speed sawing blade | ✓ | Length of cut 1250 mm | ✓ |
| Adjustable speed sawing movement | ✓ | Laserline | ✓ |
| Height of cut 210mm | ✓ | Roller Conveyor heavy duty Harwi 1200* | 0 |
| Motor power 5.5kW (S1) | ✓ | Length measuring system digital | 0 |
| Pneumatic material clamping | ✓ | Betonplex Table | ✓ |

✓ = standard X = not possible 0 = optional

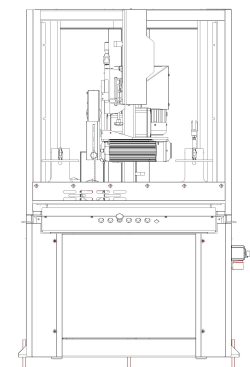
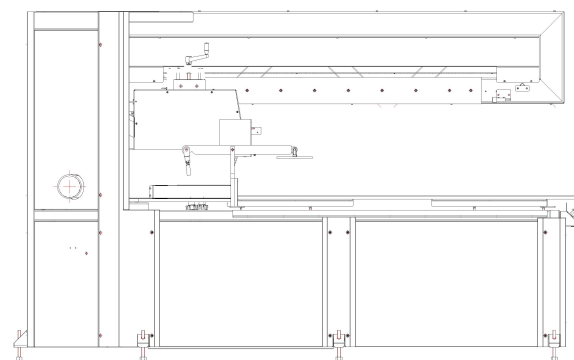
* Roller conveyor Harwi 1200 & length measuring system only on request.

Measurements

Height=1950mm

Length=3150mm

Width =1100mm





Our mission

Through combining experience and craftsmanship with service and development, we strive for an optimal working environment in which safety, ergonomics and health come first.

The robust nature and the long service life of our machines characterize our passion for technology. Our core business is the delivery of standard sawing solutions in the wood industry. However we also use our expertise and knowledge to aid our customers in process specific sawing solutions.

Our company

Harwi has been producing its sustainable sawing machines in Helmond in Brabant since 1960. Our specialization and expertise in the wood industry in particular has been ensuring satisfied customers for years.

Providing innovative sawing solutions within the Netherlands and abroad is the foundation of our organization. Within this foundation we prioritize user friendliness and quality.

Check all our machines and options

www.harwi.nl

Harwi Holland BV

Lage Dijk 28

5705 BZ Helmond

Nederland

T +31 (0)492 54 33 55

sales@harwi.nl

www.harwi.nl

