



**JMJ
WOODWORKING
MACHINERY LTD.**

Suppliers of New & Used
Woodworking Machinery
Tooling, Accessories &
Dust Extraction

01482 840103
www.jmjwood.co.uk

FILTER UNITS FOR WOODWASTE MK/MTFA RANGE

The process could not be simpler for the collection of chipboard and MDF sawdust to wood chippings.

All these units are fitted with powerful, self-cleaning fans to transport the waste material through a ductwork system into the unit for separation.

On entering the unit the bulk waste spins into polythene bags and the finer dust is filtered through highglaze terylene needlefelt media to allow the air to return to the working area without heat loss.

Each unit is fitted with Inventair special swirl baffles which maximises even bag filling.

Auto Cleaning

Each filter unit in this range is supplied with its own D.O.L fan and shaker controller. This electronic unit controls the shut down routine to clean the filter media by allowing the fan to stop before activating the shaker motor mounted on top of the filter unit.



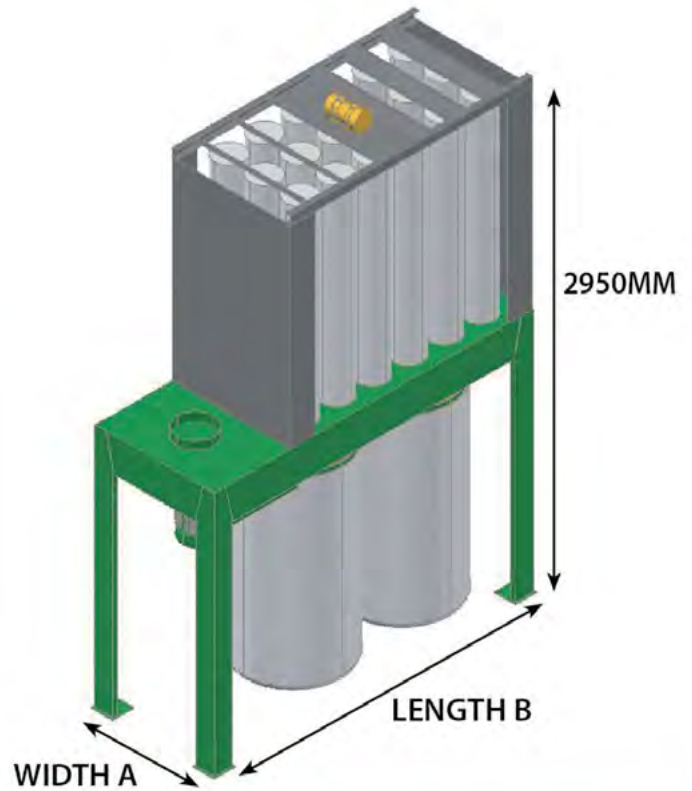


DUST & FUME ENGINEERING • QUALITY FABRICATIONS

Features

- Automatic Cleaning
- Unique Swirl Baffles
- Quick connection filters
- Robust manufacture

We hold a full range of spare filters, polythene bags etc. All available on request.
 Technical help is just a phone call away



MK / MTFA RANGE - PERFORMANCE

UNIT REF	WIDTH A	LENGTH B	MOTOR KW	VOLUME M ³ /H	PRESSURE MM	FILTER AREA M ²	BAG CAPACITY M ³	WEIGHT KG	INLET SIZE
MK 1 MTFA H.P (4KW)	725	1170	4	2550	305	6	4.6	95	200 Ø
MK 1 MTFA H.P (5.5KW)	725	1170	5.5	2900	355	6	4.6	95	210 Ø
MK 2 MTFA	725	1950	3	3050	178	12.7	9.1	165	224 Ø
MK 3 MTFA	725	2740	5.5	4250	178	18.1	13.7	245	250 Ø
MK 4 MTFA	725	3440	7.5	5950	230	24.1	18.2	325	315 Ø
MK6 MTFA	800	4750	11	7150	359	36.1	27.4	400	350 Ø
MK6 MTFA (EXTENDED)	800	4750	15	7650	380	45	27.4	425	350 Ø

Special units are available on request to suit your requirements E.g. Height restrictions, weather proofing, bins etc.

Electrical Requirements

All our MK/MTFA range comes complete with auto shake vibration motors at 0.18KW each (MK 6 comes complete with 2N° vibration motors).

A 3 phase supply only is required (no neutral).

MK6 11KW & 15KW Are supplied with Star Delta Starters