

joinery machines

**minimax line**  
si x and elite s range



REV. N. 00 - 02.2020 - MIE STUDIO



SCM GROUP SPA  
via Casale 450 - 47826 Villa Verucchio, Rimini - Italy  
tel. +39 0541 674111 - fax +39 0541 674274  
scm@scmgroup.com  
www.scmwood.com



00L0592668E



# All "Made in SCM Italy"

*From casting iron to finished product.*

Come see our production plants and touch the quality of SCM machines; you will be our guest.
















**minimax**  
the passion that deserves professional products.

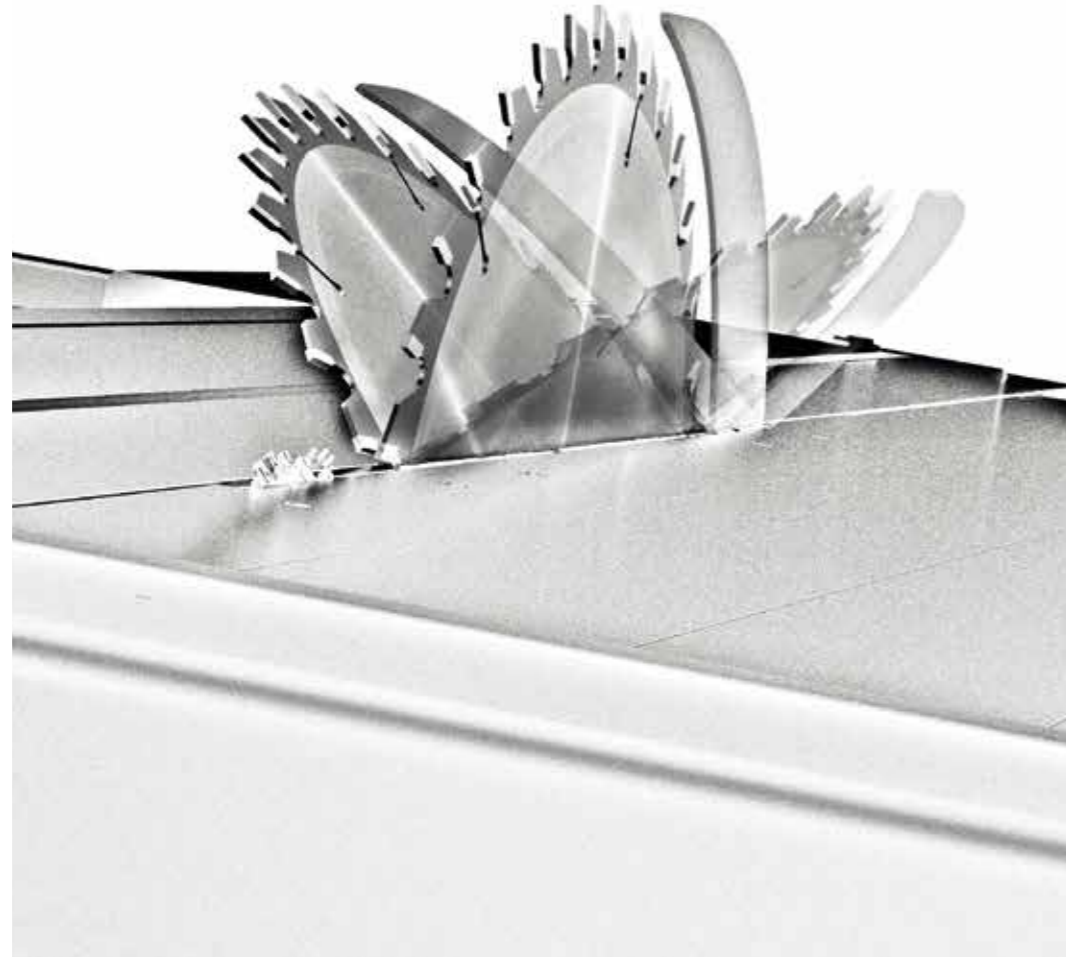
minimax is the line of professional machines for hobbyists and woodworkers, a point of reference for over 40 years worldwide. SCM's objective is to guarantee customers high quality technologies which meet their requirements in such a way as to make SCM the partner for any needs.

## minimax si x e elite s

Maximum expression of professional performances and technology.

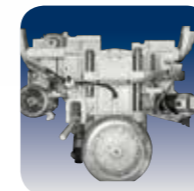
circular saw with double tilting	minimax si x page 4 					
combined machines	cu 410es page 10 	st 5es page 11 				
planers	fs 52es page 12 	f 52es page 13 	s 52es page 13 	fs 41es page 14 	f 41es page 15 	s 41es page 15 
circular saws	si 400es page 16 	si 315es page 17 				
spindle moulders	tw 55es page 18 	t 55es page 19 				

circular saw  
with  
double  
tilting  
minimax si x



		minimax si x
Max. saw blade diameter <b>with installed scoring unit</b>	mm	400
Max. saw blade projection from the table at 90°/45°/45°	mm	136 / 97 / 60
Saw blade rotating speed	mm	1270
Squaring stroke	mm	2600 ÷ 3200
Three-phase motor	kW	7

*Find the complete technical specification at page 9*



**Saw Unit**  
double tilting



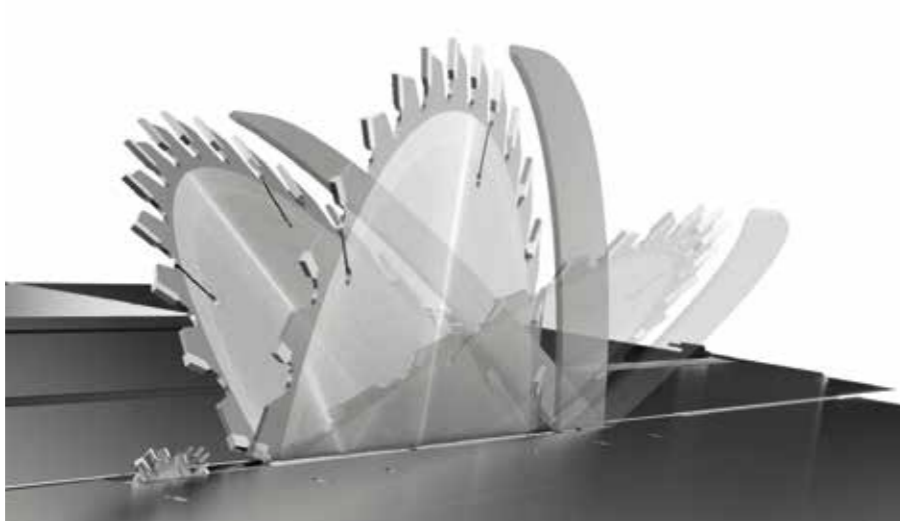
**Programmed Movement**  
simple and quick



**Ready 3/Ready 3 UP**  
automatic positioning

Circular saw with  $\pm 46^\circ$  double tilting sawblade. It allows simultaneous use of a 400 mm saw blade and 160 mm scoring blade both for  $90^\circ$  cutting and  $\pm 46^\circ$  tilted cutting.

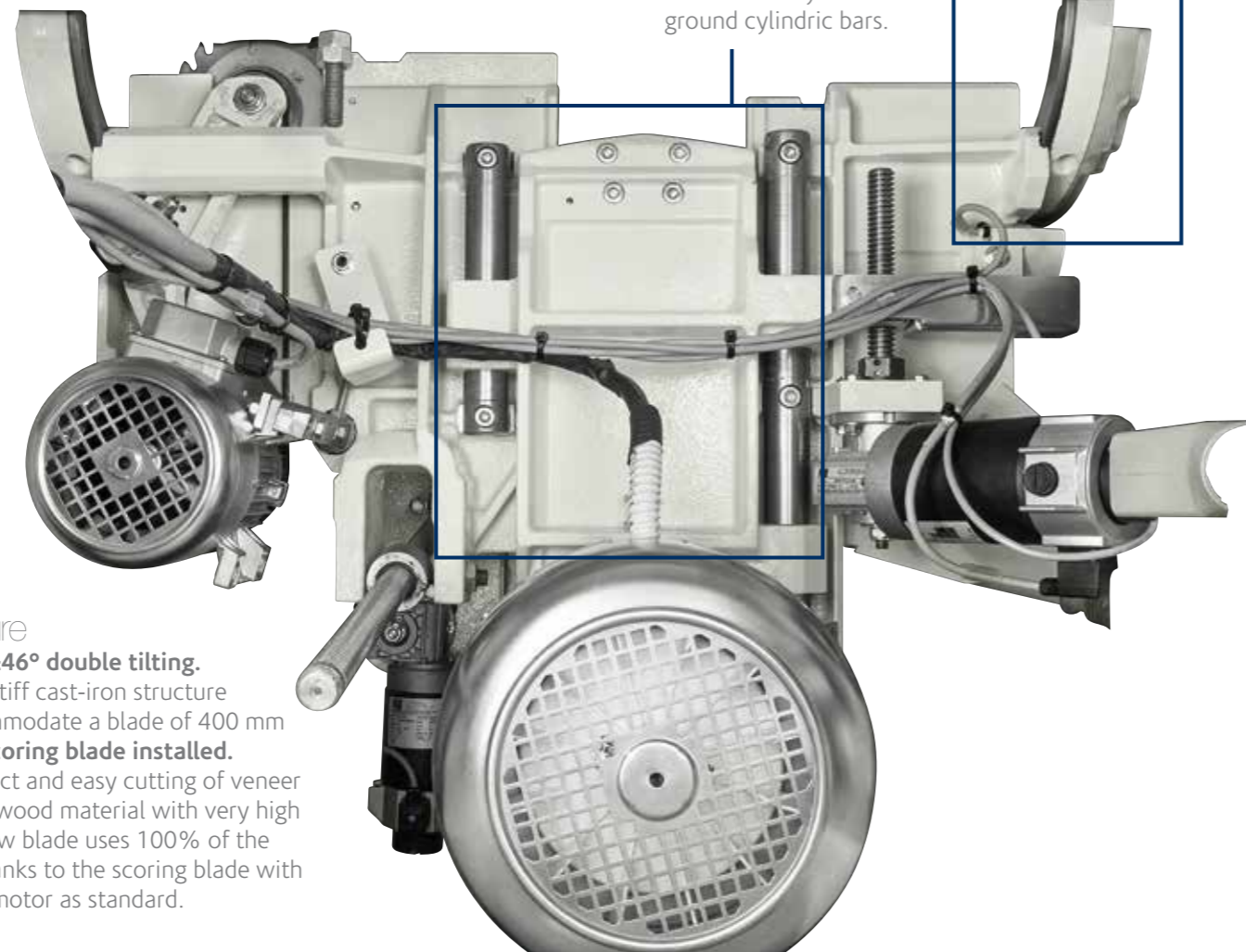
# minimax si x operating groups



double tilting at everybody's reach

The  $\pm 46^\circ$  tilting of the unit is done by 2 wide semi-circular fences.

The lifting of the blade unit is done by 2 ground cylindric bars.



## sturdy structure

### Saw Unit with $\pm 46^\circ$ double tilting.

Saw unit with a stiff cast-iron structure which can accommodate a blade of 400 mm diameter **with scoring blade installed**. It ensures a perfect and easy cutting of veneer panels and solid wood material with very high thickness. The saw blade uses 100% of the motor power, thanks to the scoring blade with an independent motor as standard.



The scoring blade is adjustable from the outside without tools and allows fast and accurate positioning with no play.



## unrivalled cutting finishing Sliding Carriage.

Optimal support also to larger pieces, with the new sliding carriage, 360 mm wide.



Exceptional accuracy and smoothness to secure the guides it is not used glue, since the thickness could affect sliding. They are secured with a **procedure of aluminum riveting**.



Two positions overhead blade protection, for totally safe machining.

## smooth, rapid and precise positioning Parallel Fence.

Sliding of the parallel fence support on round bar with micrometric adjustment. The support can be also equipped with digital readout for fence position with detecting system on magnetic band (option). The fence can be easily excluded from the working area when it isn't used.



## immediate control Squaring Frame and Fence.

Panel loading is easy on the large squaring frame with an idle roller at the end. **The telescopic squaring fence with the inclined metric scale and two reversible stops** can be used to square panels measuring 3200x3200 mm and for tilted cuts at up to  $45^\circ$  on both sides of the frame.

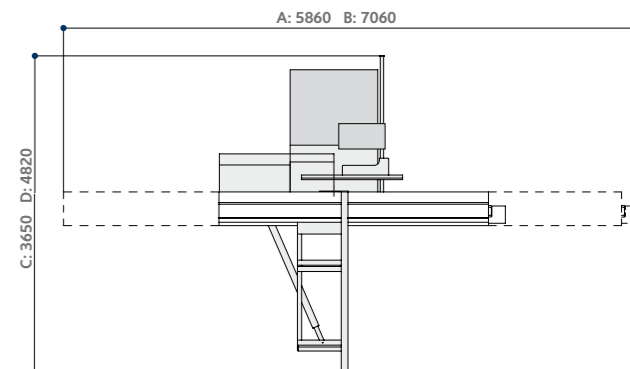
# minimax si x electronic controls

simple and quick  
**Programmed Movement.**  
The "Ready" control manages the  
powered and programmed movement  
of the saw blade unit increasing  
productivity and working quality.



# minimax si x main optional devices

# minimax si x dimensions and technical data



**Ready 3 / Ready 3 UP**  
**Automatic positioning of the parallel fence,** from "Ready" control (3 axes).  
Programmed or manual fence movement with a hold-down drive for the maximum versatility.  
**In addition, the Ready 3 UP version has the control on the mobile control panel.**  
*(option)*



**Digital Readout for the Fence Position on the Parallel Fence.**  
It allows precise positioning with the magnetic strip sensor.  
*(option)*

**Compex**  
to rapidly obtain angular cuttings with automatic self-adjustment of the stops position.



- A with 2600 mm carriage
- B with 3200 mm carriage
- C with manual parallel fence
- D with Ready 3/Ready 3 Up

- S Standard
- O Option

		minimax si x
Cast-iron saw table dimensions	mm	1000 x 685
Blades tilting		-46° ÷ +46°
Max. saw blade diameter <b>with installed scoring unit</b>	mm	400
Max. saw blade projection from the table at 90°/+45°/-45°	mm	136/97/60
Squaring stroke	mm	2600 ÷ 3200
Cutting width on parallel fence	mm	1270
<b>other technical features</b>		
Three-phase motor 7 kW (9,5 hp) 50 Hz - 8 kW (11 hp) 60 Hz		S
Exhaust hoods diameter:		
- at the base	mm	120
- on overhead protection		80
Pushbuttons integrated in the sliding carriage		O
Squaring frame with "Compex" device		O
Versions "Ready 3" and "Ready 3 UP"		O
Digital readout for the fence position on the parallel fence		O
Angular cutting devices		O
N.2 sawblades speeds (3500/5000 rpm)		O

maximum practicality  
**Pushbuttons integrated in the Sliding Carriage.**  
The possibility to start or stop the blades motors from the pushbuttons located at the ends of the carriage **considerably helps when machining large dimensioned panels.**  
*(option)*



expandable scoring blade  
Manually expandable with variable thickness from 3,5 to 4,5 mm (blade diameter: 160 mm).



elite s  
 combined machines  
 cu 410es universal combined machine  
 st 5es saw-spindle moulder

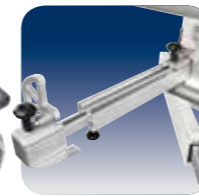


	cu 410es	st 5es
Planer useful working width	mm 410	-
Total length of surfacing tables	mm 2200	-
Max. saw blade diameter <b>with scoring blade installed</b>	mm 350	350
Squaring stroke	mm 2250 ÷ 3200	2250 ÷ 3200
Max. spindle length	mm 125	125
Three-phase motors starting from	kW/Hz 5 (6) / 50 (60)	5 (6) / 50 (60)

Find the complete technical specification at page 24



**Saw Unit**  
unique worldwide



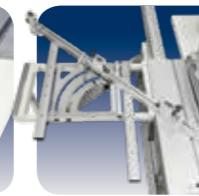
**Squaring Fence**  
immediate control



**Spindle Moulder**  
unsurpassed moulding



**Controls on Carriage**  
high-tech devices



**Complex high-tech devices**



**Sliding Carriage**  
unrivalled cutting finishing

Technology and professional performances in the woodworking combined machines, for an unmatched working precision.

elite s  
planers  
fs 52es  
f 52es  
s 52es

surfacing-thicknessing planer  
surfacing planer  
thicknessing planer



		fs 52es	f 52es	s 52es
Planer useful working width	mm	520	520	520
Cutter block diameter (mm)/no. of standard knives	mm/n.	120 / 4	120 / 4	120 / 4
Total length of surfacing tables	mm	2250	2250	-
Min. ÷ max. working height on thicknesser	mm	3 ÷ 240	-	3 ÷ 240
Three-phase motors starting from	kW/Hz	7 (8) / 50 (60)	5 (6) / 50 (60)	7 (8) / 50 (60)

Find the complete technical specification at page 24



**Planer Cutter Block**  
perfect finishing



**Thicknessing Table**  
stability over time



**Surfacing Tables**  
fast set-up



**Xylent**  
absolute silence



**Planing Fence**  
absolute rigidity

Professional planers at an accessible price, for woodworking shops and demanding craftsmen that require high standard and no compromises.

elite s  
planers  
fs 41es  
f 41es  
s 41es

surfacing-thicknessing planer  
surfacing planer  
thicknessing planer



		fs 41es	f 41es	s 41es
Planer useful working width	mm	410	410	410
Cutter block diameter (mm)/no. of standard knives	mm/n.	95 / 4	95 / 4	95 / 4
Total length of surfacing tables	mm	2200	2200	-
Min. ÷ max. working height on thicknesser	mm	3 ÷ 240	-	3 ÷ 240
Three-phase motors starting from	kW/Hz	5 (6) / 50 (60)	5 (6) / 50 (60)	5 (6) / 50 (60)

Find the complete technical specification at page 24



**Planer Cutter Block**  
perfect finishing



**Thicknessing Table**  
stability over time



**Planing Fence**  
absolute rigidity

Professional planers at an accessible price, for woodworking shops and demanding craftsmen that require high standard and no compromises.



elite s  
circular saws  
si 400es  
si 315es



		si 400es	si 315es
Max. saw blade diameter <b>with installed scoring unit</b>	mm	400	315
Max. saw blade projection from the table at 90°/45°	mm	138 / 98	101 / 71
Cutting width on parallel fence	mm	1270	1270
Squaring stroke	mm	2600 ÷ 3200	2600 ÷ 3200
Three-phase motors power starting from	kW/Hz	5 (6) / 50 (60)	5 (6) / 50 (60)

*Find the complete technical specification at page 24*



**Saw Unit**  
unique worldwide



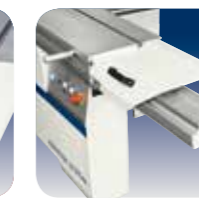
**Powered Movements**  
rapidity and precision



**Squaring Fence**  
immediate control



**Controls on Carriage**  
high-tech devices



**Sliding Carriage**  
unrivalled cutting finishing



**Programmed Fence**  
for parallel cuttings

Professional circular saws with tilting blade for uncompromising quality.

elite s  
spindle moulders  
tw 55es  
t 55es

with fixed or tilting spindle  
with fixed spindle



	tw 55es	t 55es
Max. useful spindle length	mm 125	125
Max. tool diameter when profiling	mm 210 ÷ 240	210 ÷ 240
Max. tool diameter lowered under the table at 90°	mm 240	240
Max. tool diameter when tenoning	mm 320 (300 no CE)	-
Three-phase motors starting from	kW/Hz 5 (6) / 50 (60)	5 (6) / 50 (60)

Find the complete technical specification at page 24



Spindle Moulder  
unsurpassed  
moulding



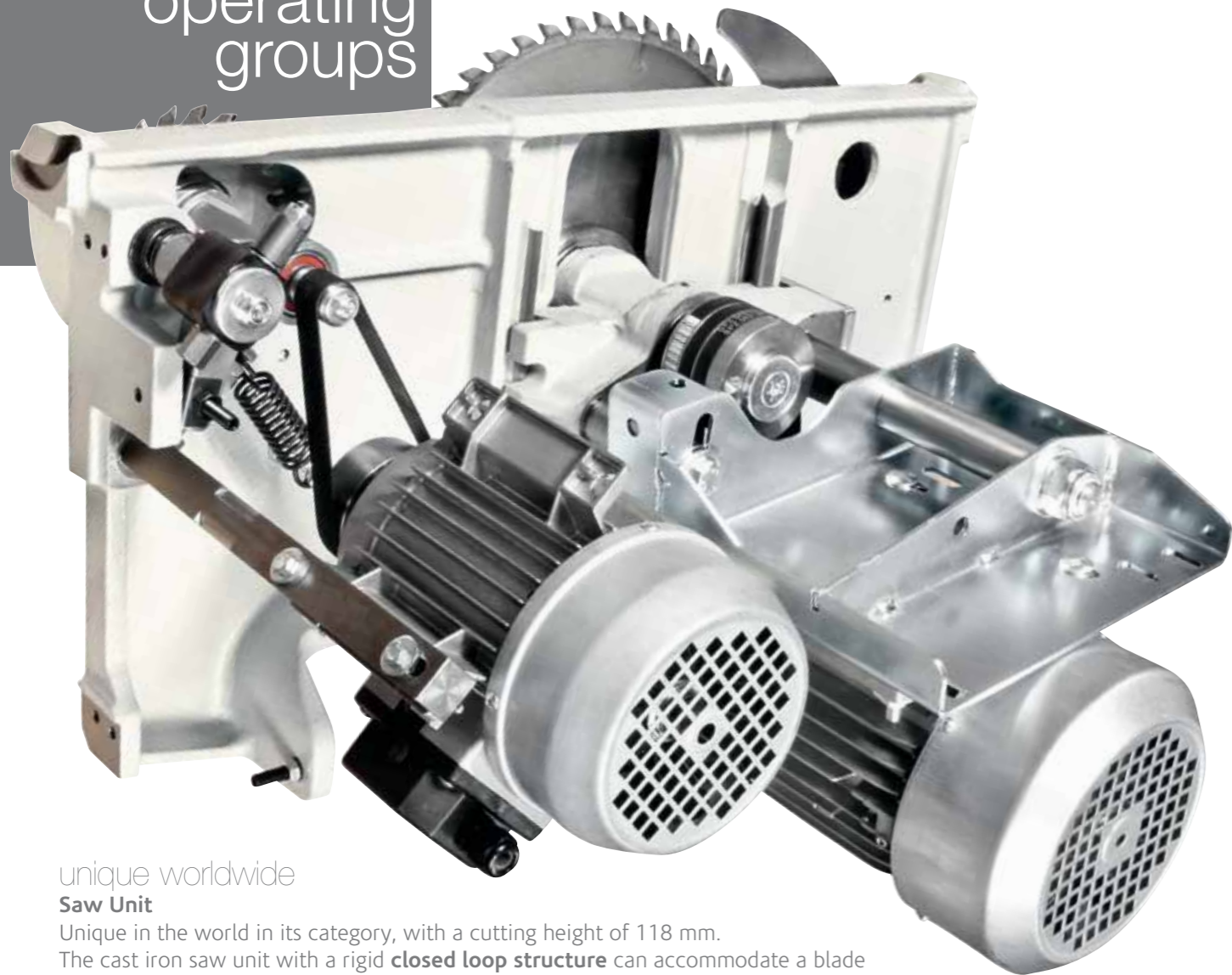
Moulder Fence  
high-tech devices



Sliding Carriage  
unrivalled cutting  
finishing

The professional spindle moulders that allow for customization and flexibility, for woodworking shops and demanding craftsmen.

# elite s operating groups



## unique worldwide Saw Unit

Unique in the world in its category, with a cutting height of 118 mm. The cast iron saw unit with a rigid **closed loop structure** can accommodate a blade of 315 and 350 mm diameter (up to 400 mm for *si 400es*) **with the scoring blade mounted**, ensuring perfect and easy cutting of veneer panels and thick solid wood material. The saw blade uses 100% of the motor power, thanks to the **scoring blade with an independent motor as standard**.

The lifting of the blade unit is done by a robust cast iron structure with dovetail system.

The rotation fulcrums of the saw unit have a 120 mm diameter and stand on steady crescent shaped rests that separate it from the base: a rigid reliable solution.

The scoring blade is adjustable from the outside without tools and allows fast and accurate positioning with no play.



## high-tech devices Controls on Carriage.

Wide range of high-tech devices to make your *elite s* even more powerful and personalized, like the **start/stop pushbuttons for the main blade and scoring blade integrated in the sliding carriage**; very useful when machining large dimensioned work pieces that prevent an easy and safe access to the main machine control panel.

## immediate control Squaring Frame and Fence.

Panel loading is easy on the large squaring frame with an idle roller at the end. **The telescopic squaring fence with the inclined metric scale and two reversible stops** can be used to square panels measuring 3200x3200 mm and for tilted cuts at up to 45° on both sides of the frame.

## unrivalled cutting finishing Sliding Carriage.

Optimal support also to larger pieces, with the **sliding carriage 360 mm wide**. Exceptional precision and smoothness: to secure the guides it is not used glue, since the thickness could affect sliding. They are secured with a procedure of aluminum riveting.



# elite s operating groups

absolute rigidity  
**Planing Fence.**  
High rigid fence with a smooth movement thanks to the **central locking on round bar.**



stability over time  
**Tables Lifting.**  
Comfortable and precise planing. The *elite s* range adopt ergonomic solutions like the **2200 mm surfacing tables**, in ribbed cast iron, **with simultaneous opening** towards the inside of the machine with a 90° angle. For a maximum long lasting stability the cast iron thickening table lifts on **4 spindles with trapezoidal threads dust protected.**



A B

perfect finishing  
**Planer Cutter Block.**  
An optimal planing with minimal effort, thanks to the 95 mm diameter cutter block (120 mm in planers of 520 mm working width) and 4 knives. For an impeccable finish the pressure of the thicknesser feed rollers can be adjusted according to the type of wood machined. The roller infeed (A) has a **helicoidal profile** to guarantee firm and constant work piece feed, while the outfeed roller (B) in sandblasted steel maintains the perfect post-processing finishing.

The spindle is surrounded by a cast iron "cup" to **protect the internal mechanical components** from shavings and sawdust.

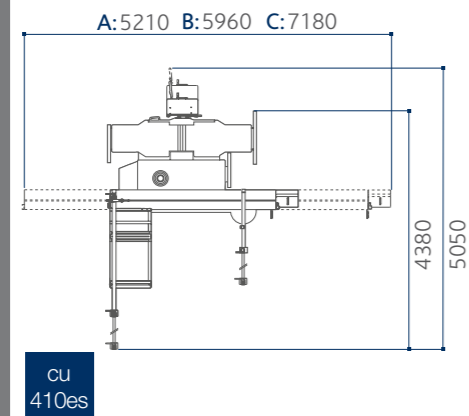


unsurpassed moulding  
**Spindle Moulder.**  
Maximum stability and rigidity in all working conditions, thanks to a large spindle moulder column made entirely of cast iron. The 4 standard speed are ideal for any type of machining, from moulding to routing and tenoning, with the possibility to fit tools up to 320 mm of diameter (300 mm no CE).

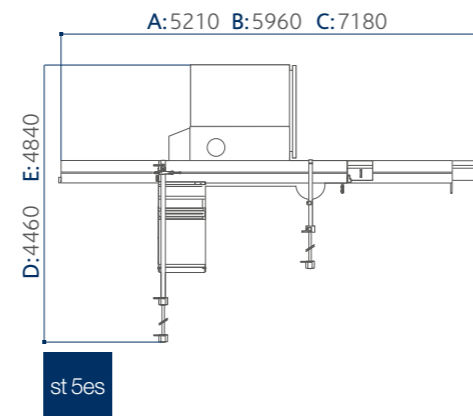


high-tech devices  
**Moulder Fence.**  
The spindle moulder hood uses a system for adjusting the guides with a rack and it is fitted with a mechanical digital readout. Thanks to the **system of memories** (on *t 55es* and *tw 55es* available as option) the hood can be removed and repositioned without losing the machining position. The maximum tool diameter mounted on the spindle lowered under the table at 90° is 240 mm. On request it is available with a spindle that tilts 45° (towards the inside of the machine).

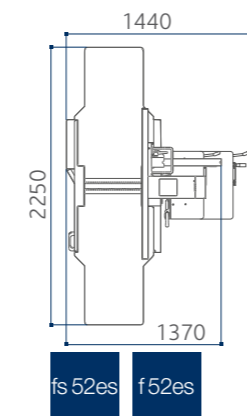
# elite s dimensions and technical data



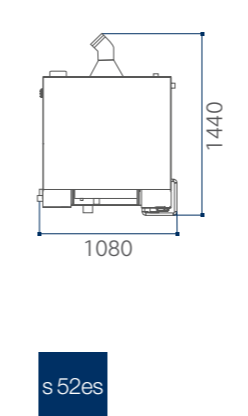
cu  
410es



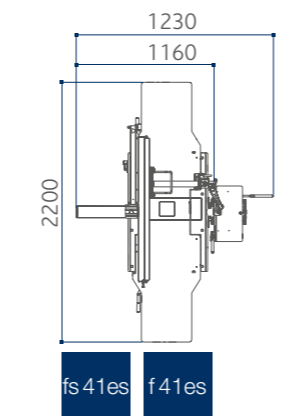
st 5es



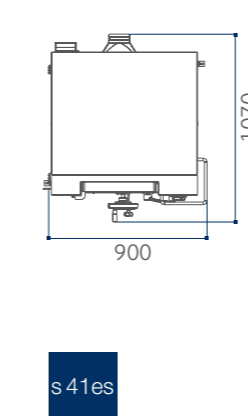
fs 52es f 52es



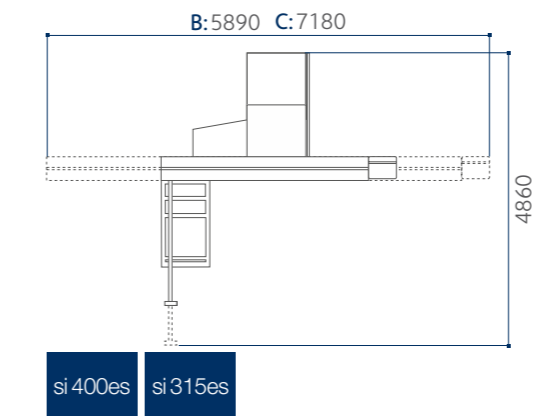
s 52es



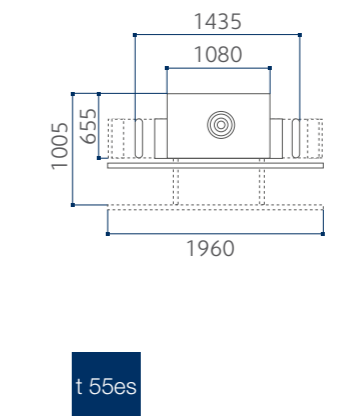
fs 41es f 41es



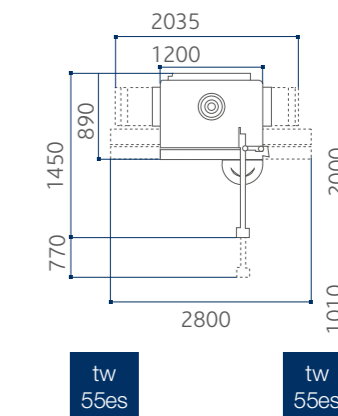
s 41es



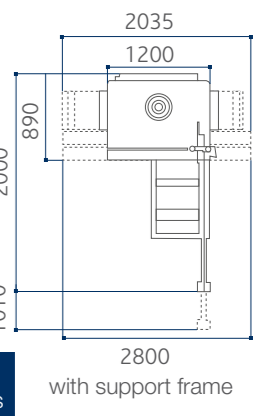
si 400es si 315es



t 55es



tw 55es



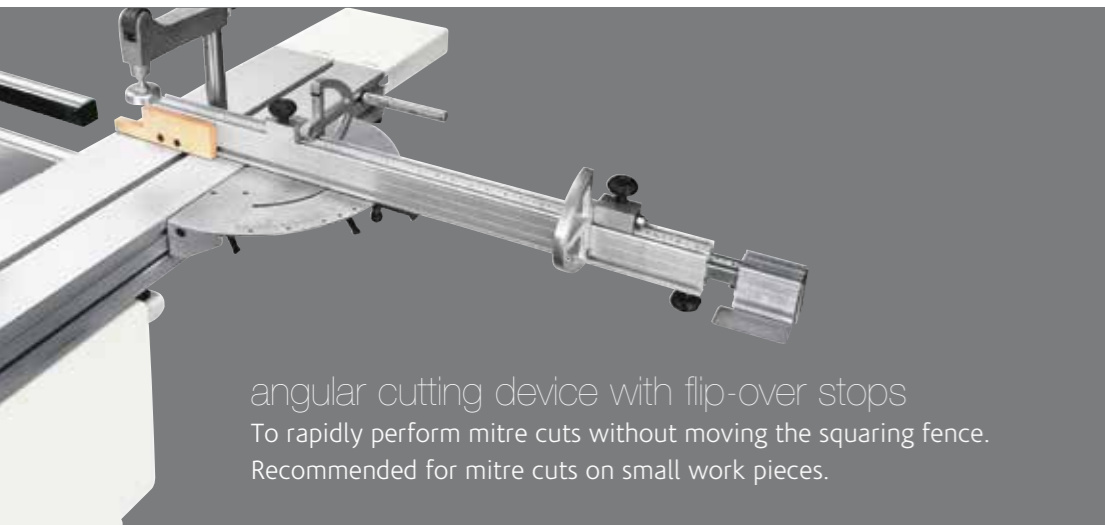
tw 55es  
with support frame

- A with 2250 mm carriage
  - B with 2600 mm carriage
  - C with 3200 mm carriage
  - D with 900 mm cutting width \*
  - E with 1270 mm cutting width \*
- \*at the parallel fence

	cu 410es	st 5es	fs 52es	f 52es	s 52es	fs 41es	f 41es	s 41es	si 400es	si 315es	tw 55es	t 55es
<b>planer</b>												
Working width	mm	410	-	520	520	520	410	410	-	-	-	-
Cutter block diameter (mm)/no. of standard knives	mm/n.	95 / 4	-	120 / 4	120 / 4	120 / 4	95 / 4	95 / 4	-	-	-	-
Dimensions of standard knives	mm	410 x 30 x 3	-	520 x 30 x 3	520 x 30 x 3	520 x 30 x 3	410 x 30 x 3	410 x 30 x 3	-	-	-	-
Max. stock removal	mm	5	-	5	5	5	5	5	-	-	-	-
Surfacing tables total length	mm	2200	-	2250	2250	2200	2200	-	-	-	-	-
Thickening tables dimensions	mm	410 x 775	-	520 x 850	520 x 850	410 x 775	-	410 x 775	-	-	-	-
Feed speed on thickener	m/min	6 / 12	-	5 / 8 / 12 / 18	5 / 8 / 12 / 18	6 / 12	-	6 / 12	-	-	-	-
Min. ÷ max. working height on thickener	mm	3 ÷ 240	-	3 ÷ 240	3 ÷ 240	3 ÷ 240	-	3 ÷ 240	-	-	-	-
<b>circular saw</b>												
Cast iron saw-spindle moulder worktable dimensions	mm	1380 x 465	1380 x 465	-	-	-	-	-	940 x 560	940 x 560	-	-
Saw blade tilting		90° ÷ 45°	90° ÷ 45°	-	-	-	-	-	90° ÷ 45°	90° ÷ 45°	-	-
Max. saw blade diameter with scoring blade installed	mm	350	350	-	-	-	-	-	400	315	-	-
Max. saw blade projection from table at 90°/45°	mm	118 / 84	118 / 84	-	-	-	-	-	138 / 98	101 / 71	-	-
Squaring stroke	mm	2250 ÷ 3200	2250 ÷ 3200	-	-	-	-	-	2600 ÷ 3200	2600 ÷ 3200	-	-
Cutting width on parallel fence	mm	1000	900 ÷ 1270	-	-	-	-	-	1270	1270	-	-
<b>spindle moulder</b>												
Max. useful spindle length	mm	125	125	-	-	-	-	-	-	-	125	125
Spindle moulder speeds (at 50 Hz)	rpm	3500/6000/8000/10.000	3500/6000/8000/10.000	-	-	-	-	-	-	-	3500/6000/8000/10.000	3500/6000/8000/10.000
Max. tool diameter when profiling	mm	240	240	-	-	-	-	-	-	-	210 ÷ 240	210 ÷ 240
Max. diameter of tool lowered under the table at 90°	mm	240	240	-	-	-	-	-	-	-	240	240
Max. tool diameter when tenoning	mm	320 (300 no CE)	320 (300 no CE)	-	-	-	-	-	-	-	320 (300 no CE)	-
<b>other technical features</b>												
Three-phase motors 5 kW (6,6 hp) 50 Hz - 6 kW (8 hp) 60 Hz		S	S	-	S	-	S	S	S	S	S	S
Three-phase motors 7 kW (9,5 hp) 50 Hz <b>with automatic star-delta start</b>		O	O	S	O	S	O	-	O	O	O	O
Three-phase motors 9 kW (12 hp) 50 Hz - 11 kW (15 hp) 60 Hz <b>with automatic star-delta start</b>		-	-	O	-	O	-	-	-	-	-	-
Single-phase motors 2,2 kW (3 hp) 50 Hz		-	-	-	-	-	-	-	-	-	O	O
Single-phase motors S1 3,6 kW (4,8 hp) 60 Hz		O	O	O	O	O	O	O	O	O	O	O
Exhaust outlets diameter	mm	120	120	120	120	120	120	120	120	120	120	120

- S Standard
- O Option

elite s  
main  
optional  
devices



angular cutting device with flip-over stops  
To rapidly perform mitre cuts without moving the squaring fence.  
Recommended for mitre cuts on small work pieces.



additional table on the sliding carriage  
For the support of large dimensioned panels.



overhead blade  
protection  
For totally safe  
machining.

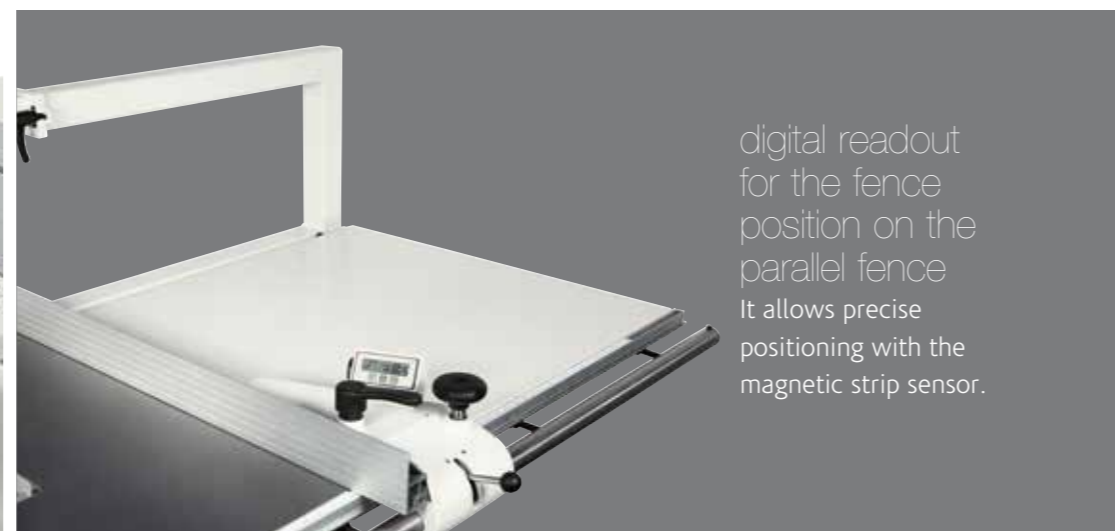


maintenance case for "Xilent"  
spiralknife

- It consists of:
- 1 cleaning/degreasing liquid bottle for the resins cleaning
  - 1 set dynamometric key
  - 2 bit Torx
  - 10 inserts
  - 5 screws
  - 1 brass bristle brush to clean the spindle with mounted in inserts
  - 1 steel bristle brush to clean the inserts housings



pre-set angular  
cutting device  
directly positioned  
on squaring frame  
To find rapidly the most  
common angles with the  
squaring fence. Useful for  
large work pieces.



digital readout  
for the fence  
position on the  
parallel fence  
It allows precise  
positioning with the  
magnetic strip sensor.



"Tersa" cutter block  
Automatic knives clamping by  
means of the centrifugal force  
ensures safe and precise machining.  
The system, without fixing screws,  
makes knives substitution  
extremely fast.



"Xilent" spiralknife cutter  
block with 3 series of knives  
The 3 spiralknives give an exceptional  
finish. Reduced noise during machining  
provides a more comfortable working  
environment. It also improves the dust  
extraction due to the production of very  
small chips. Each cutter has 4 tips which  
can be rotated into the cutting position  
when worn. Therefore, increasing the  
production life of the cutter block before  
knives require replacement.

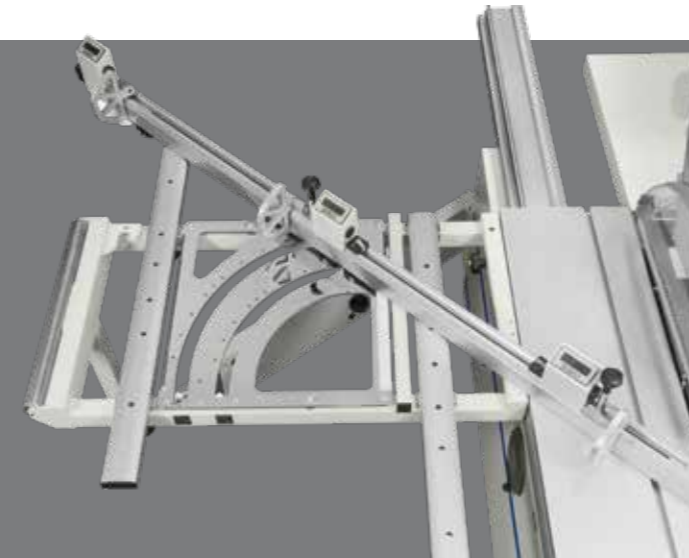
elite s  
main  
optional  
devices

self-centering chuck  
0-16 mm "Wescott" type  
The mortiser spindles can be  
rapidly substituted without  
the necessity of adjustment.



chuck with clamp  
It allows harder machining thanks  
to the stronger bits. The chuck  
includes 3 clamps 5/10/16 mm.

Compex  
to rapidly obtain angular  
cuttings with automatic  
self-adjustment of the  
stops position.



Ready 3 /  
programmed  
parallel fence  
automatic parallel  
fence positioning,  
available for version  
with 1 and 3 axes.



thickening  
table with two  
removable  
idle rollers  
It assists the feed for  
demanding pieces.



additional overturning fence  
for thin work pieces  
It ensures optimum operator safety  
when machining thin work pieces.



Dado set  
mechanical presetting to  
use a tool (not included) in  
place of the main blade.



digital readouts  
on squaring stops with  
micrometric adjustment.



# elite s main optional devices



A



B

interchangeable spindle (A)  
For a very quick spindle substitution. Among the spare spindle, it is available also the spindle for router bits. (B)

tenoning table and protection hood  
For the tenoning operations on the spindle moulder. It consists of:

- table
- protection hood for tools, 320 mm diameter (300 mm USA/Canada)
- exhaust hood, 120 mm diameter



roller telescopic extensions for spindle moulder  
For the machining of work pieces with large dimensions.



electric pre-setting and flip over support for feeder  
This solution allows a total exclusion of the device and prevents interference with other parts of the machine.

powered handling of the operating groups with digital readouts  
For the best precision and easy-to-use.



S Standard  
O Option  
\* Standard for CE and USA/Canada versions

	cu 410es	st 5es	fs 52es	f 52es	s 52es	fs 41es	f 41es	s 41es	si 400es	si 315es	tw 55es	t 55es
Angular cutting device with flip-over stops	0	0	-	-	-	-	-	-	0	0	-	-
Pre-set angular cutting device directly positioned on squaring frame	0	0	-	-	-	-	-	-	0	0	-	-
Digital readout for the fence position on the parallel fence	-	0	-	-	-	-	-	-	0	0	-	-
Start/stop pushbuttons for the saw blade and scoring blade integrated in the sliding carriage	0	0	-	-	-	-	-	-	0	0	-	-
Additional table on the sliding carriage	0	0	-	-	-	-	-	-	0	0	-	-
Overhead blade protection	-	0*	-	-	-	-	-	-	0*	0	-	-
"Tersa" cutter block	0	-	0	0	0	0	0	0	-	-	-	-
"Xylent" spiralknife cutter block with 3 series of knives	0	-	0	0	0	0	0	0	-	-	-	-
Maintenance case for "Xylent" spiralknife	0	-	0	0	0	0	0	0	-	-	-	-
Cast iron mortiser	0	-	0	0	-	0	0	-	-	-	-	-
Self-centering chuck 0-16 mm "Wescott" type	0	-	0	0	-	0	0	-	-	-	-	-
Chuck with clamp	0	-	0	0	-	0	0	-	-	-	-	-
Thickening table with two removable idle rollers	-	-	0	-	0	-	-	-	-	-	-	-
Additional overturning fence for thin work pieces	-	-	0	0	-	0	0	-	-	-	-	-
Tenoning table and protection hood	0	0	-	-	-	-	-	-	-	-	0	-
Electric pre-setting and flip over support for feeder	0	0	-	-	-	-	-	-	-	-	0	-
Interchangeable spindle	0	0	-	-	-	-	-	-	-	-	0	0
Roller telescopic extensions for spindle moulder	-	-	-	-	-	-	-	-	-	-	0	0
Powered handling of the operating groups with digital readouts	0	0	0	-	S	0	-	0	0	0	0	-
Complex	0	0	-	-	-	-	-	-	0	0	-	-
Dado set	-	0	-	-	-	-	-	-	0	0	-	-
Digital readouts	0	0	-	-	-	-	-	-	0	0	-	-
Ready 3 / Programmed parallel fence	-	-	-	-	-	-	-	-	0	0	-	-



# PROMPT AND EXPERT TECHNICAL SUPPORT THROUGH A NETWORK OF 1000 TECHNICIANS AND AN INVENTORY OF 36,000 SPARE PARTS.

HIGHLY SPECIALISED TECHNICIANS, EFFICIENT MANAGEMENT AND 6 SPARE PARTS BRANCHES AROUND THE WORLD GUARANTEE A CLOSE, SAFE AND EFFECTIVE TECHNICAL SUPPORT.

## SERVICE

SCM provides a service that goes beyond the purchase, to guarantee the long term performance of your technological production system and peace of mind for your business.

### A COMPLETE RANGE OF AFTER-SALES SERVICES

- installation and start-up of machines, cells, lines and systems
- tailored training programs
- telephone support to reduce times and costs when machines are not working
- preventive maintenance programs to guarantee long term performance
- complete renovation of machines and plants to renew the added value of the investments
- custom upgrading to update machines and plants and meet new production requirements



## SPARE PARTS

SCM Group can count on 140 spare parts professionals worldwide to meet any request with real time shipments.



### 36,000 SPARE PARTS

Our spare parts inventory, with a value of 12 million euros, covers every single machine



### SPARE PARTS GUARANTEED

We guarantee also hard to find parts, with 3,5 million euros invested in "critical" spare parts.



### IMMEDIATE AVAILABILITY

Over 90% of orders received are carried out the same day thanks to the huge inventory available.



### 6 BRANCHES AROUND THE WORLD

The spare parts service can count on worldwide support (Rimini, Singapore, Shenzhen, Moscow, Atlanta, São Bento do Sul)



### 500 SHIPMENTS A DAY



# THE STRONGEST WOOD TECHNOLOGIES ARE IN OUR DNA

## SCM. A HERITAGE OF SKILLS IN A UNIQUE BRAND

Over 65 years of success gives SCM the centre stage in woodworking technology. This heritage results from bringing together the best know-how in machining and systems for wood-based manufacturing. SCM is present all over the world, brought to you by the widest distribution network in the industry.

65 years history

3 main production sites in Italy

300.000 square metres of production space

20.000 machines manufactured per year

90% export

20 foreign branches

400 agents and dealers

500 support technicians

500 registered patents

In SCM's DNA also strength and solidity of a great Group. The SCM Group is a world leader, manufacturing industrial equipment and components for machining the widest range of materials.

## SCM GROUP, A HIGHLY SKILLED TEAM EXPERT IN INDUSTRIAL MACHINES AND COMPONENTS

### INDUSTRIAL MACHINERY

Stand-alone machines, integrated systems and services dedicated to processing a wide range of materials.



WOODWORKING TECHNOLOGIES



TECHNOLOGIES FOR PROCESSING COMPOSITE MATERIALS, ALUMINIUM, PLASTIC, GLASS, STONE, METAL

### INDUSTRIAL COMPONENTS

Technological components for the Group's machines and systems, for those of third-parties and the machinery industry.



SPINDLES AND TECHNOLOGICAL COMPONENTS



ELECTRIC PANELS



METALWORK



CAST IRON





Company of the Scm Group  
registered office:  
via Emilia, 77  
47921 Rimini, Italia  
T. +39 0541 700111  
F. +39 0541 700232  
sales office:  
via Casale, 450  
47826 Villa Verucchio, Rimini, Italia  
T. +39 0541 674111  
F. +39 0541 674274  
scm@scmgroup.com  
www.scmwood.com

Scm Industria Spa  
Professional Workshop Machinery  
via Valdicella, 7  
47892 Gualdicciolo,  
Repubblica di San Marino  
scm@scmgroup.com  
sales dept. Italy:  
T. +378 0549 876911  
F. +378 0549 999604  
foreign sales dept.:  
T. +39 0541 674111  
F. +39 0541 674274  
www.scmwood.com

The motors powers in this catalogue are expressed in S6,  
except where otherwise specified. In this catalogue, machines  
are shown in CE configuration and with options. We reserve  
the right to modify technical specifications without prior  
notice, provided that such modifications do not affect  
safety as per CE norms.

rev.00  
02/2020

Mic Studio

