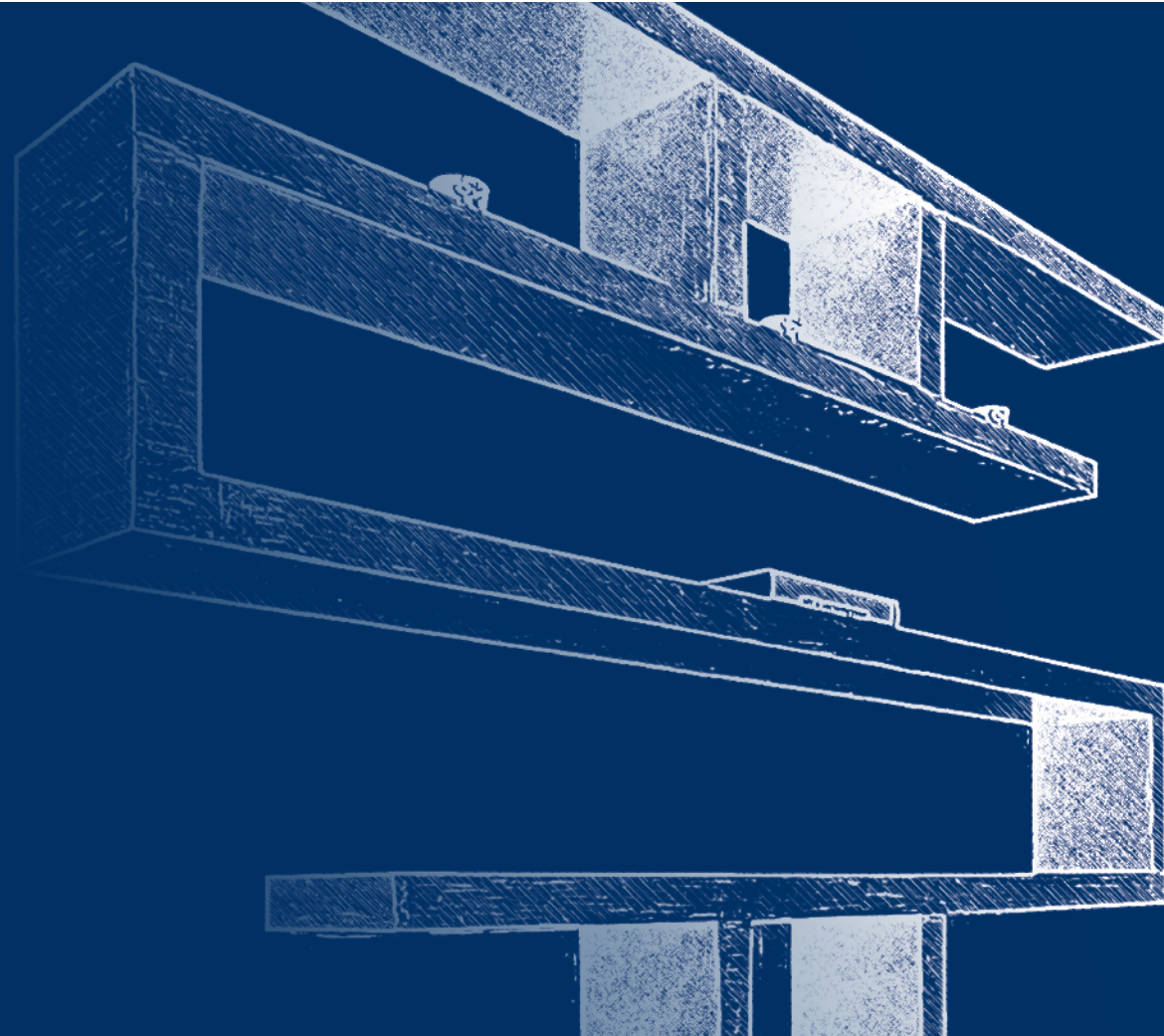


# minimax s 45n

band saw



# All “Made in SCM Italy”

*From casting iron to finished product.*

Come see our production plants and touch the quality of SCM machines;  
you will be our guest.





## **minimax**

the passion that deserves professional products.

minimax is the line of professional machines for hobbyists and woodworkers, a point of reference for over 40 years worldwide.

SCM's objective is to guarantee customers high quality technologies which meet their requirements in such a way as to make SCM the partner for any needs.

## **minimax s 45n**

Precision since the first cut.

Professional band saw, sturdy and extremely precise,  
for woodworking shops and craftsmen.

band  
saw  
s 45n



		s 45n
Worktable dimensions	mm	520 x 600
Cast-iron saw wheels diameter	mm	450
Max. cutting height	mm	300
Max. cutting width	mm	440
Worktable tilting (no CE)		0° ÷ 20° (45°)
Three-phase motor starting from	kW/Hz	3 (3,6) / 50 (60)
<i>Find the complete technical specification at page 7</i>		

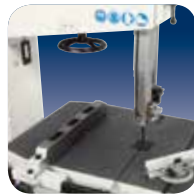
Professional band saw, sturdy and extremely precise,  
for woodworking shops and craftsmen.



**Cast-iron Saw  
Wheels**  
solidity

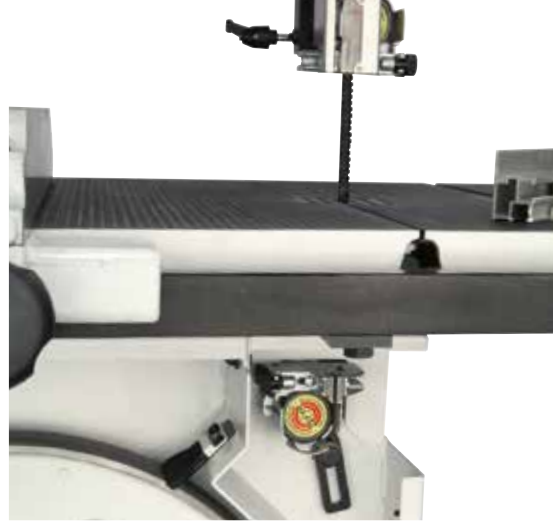


**Blade Guide**  
perfect results



**Protection**  
safety first

# s 45n operating groups



perfect results

### **Blade Guide.**

A perfect cut result is assured by the top and bottom high precision blade guides. Practical machine suitable also to perform straight and tilted cuts on wood, plastic and aluminum.



solidity and sturdiness

### **Cast Iron Saw Wheels.**

Very thick, cast iron wheels, as well as the worktable, running on sealed for life ball bearings.

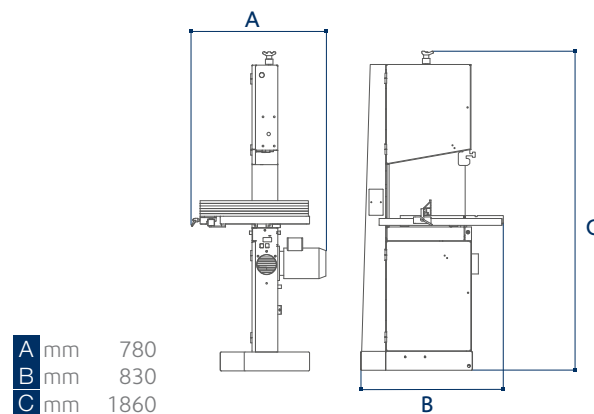


safety first

### **Protections.**

Total safety machining with telescopic protections with rackwork to the blade.

# s 45n dimensions and technical data



		s 45n
Work table dimensions	mm	520 x 600
Cast-iron saw wheels diameter	mm	450
Max. cutting height	mm	300
Max. cutting width	mm	440
Worktable tilting (CE)		0° ÷ 45° (20°)
Min./max. saw blade length	mm	3690 / 3742
Min./max. saw blade dimensions	mm	6 x 0,5 / 25 x 0,5
Three-phase motor power	kW/Hz	3 (3,6) / 50 (60)
Exhaust outlet diameter	mm	120
Air consumption	l/min (bar)	-

# PROMPT AND EXPERT TECHNICAL SUPPORT THROUGH A NETWORK OF 1000 TECHNICIANS AND AN INVENTORY OF 36,000 SPARE PARTS.

HIGHLY SPECIALISED TECHNICIANS, EFFICIENT  
MANAGEMENT AND 6 SPARE PARTS BRANCHES  
AROUND THE WORLD GUARANTEE A CLOSE,  
SAFE AND EFFECTIVE TECHNICAL SUPPORT.

## SERVICE

SCM provides a service that goes beyond the purchase, to guarantee the long term performance of your technological production system and peace of mind for your business.

### A COMPLETE RANGE OF AFTER-SALES SERVICES

- installation and start-up of machines, cells, lines and systems
- tailored training programs
- telephone support to reduce times and costs when machines are not working
- preventive maintenance programs to guarantee long term performance
- complete renovation of machines and plants to renew the added value of the investments
- custom upgrading to update machines and plants and meet new production requirements



## SPARE PARTS

SCM Group can count on 140 spare parts professionals worldwide to meet any request with real time shipments.



### 36,000 SPARE PARTS

Our spare parts inventory, with a value of 12 million euros, covers every single machine



### SPARE PARTS GUARANTEED

We guarantee also hard to find parts, with 3,5 million euros invested in "critical" spare parts.



### IMMEDIATE AVAILABILITY

Over 90% of orders received are carried out the same day thanks to the huge inventory available.



### 6 BRANCHES AROUND THE WORLD

The spare parts service can count on worldwide support (Rimini, Singapore, Shenzhen, Moscow, Atlanta, São Bento do Sul)



### 500 SHIPMENTS A DAY





# THE STRONGEST WOOD TECHNOLOGIES ARE IN OUR DNA

## SCM. A HERITAGE OF SKILLS IN A UNIQUE BRAND

Over 65 years of success gives SCM the centre stage in woodworking technology. This heritage results from bringing together the best know-how in machining and systems for wood-based manufacturing. SCM is present all over the world, brought to you by the widest distribution network in the industry.

65 years history

3 main production sites in Italy

300.000 square metres of production space

20.000 machines manufactured per year

90% export

20 foreign branches

400 agents and dealers

500 support technicians

500 registered patents



In SCM's DNA also strength and solidity of a great Group. The SCM Group is a world leader, manufacturing industrial equipment and components for machining the widest range of materials.

## SCM GROUP, A HIGHLY SKILLED TEAM EXPERT IN INDUSTRIAL MACHINES AND COMPONENTS

### INDUSTRIAL MACHINERY

Stand-alone machines, integrated systems and services dedicated to processing a wide range of materials.



WOODWORKING TECHNOLOGIES



TECHNOLOGIES FOR PROCESSING COMPOSITE MATERIALS, ALUMINIUM, PLASTIC, GLASS, STONE, METAL

### INDUSTRIAL COMPONENTS

Technological components for the Group's machines and systems, for those of third-parties and the machinery industry.



SPINDLES AND TECHNOLOGICAL COMPONENTS



ELECTRIC PANELS



METALWORK



CAST IRON



**Company of the Scm Group**

**registered office:**

via Emilia, 77  
47921 Rimini, Italia  
T. +39 0541 700111  
F. +39 0541 700232

**sales office:**

via Casale, 450  
47826 Villa Verucchio, Rimini, Italia  
T. +39 0541 674111  
F. +39 0541 674274  
scm@scmgroup.com  
www.scmwood.com

**Scm Industria Spa**

**Professional Workshop Machinery**

via Valdicella, 7  
47892 Gualdicciolo,  
Repubblica di San Marino  
scm@scmgroup.com

**sales dept. Italy:**

T. +378 0549 876911  
F. +378 0549 999604

**foreign sales dept.:**

T. +39 0541 674111  
F. +39 0541 674274  
www.scmwood.com

The motors powers in this catalogue are expressed in S6, except where otherwise specified. In this catalogue, machines are shown in CE configuration and with options. We reserve the right to modify technical specifications without prior notice, provided that such modifications do not affect safety as per CE norms.

rev.00  
02/2020

Mic Studio





**SCM GROUP SPA**

via Casale 450 - 47826 Villa Verucchio, Rimini - Italy  
tel. +39 0541 674111 - fax +39 0541 674274  
[scm@scmgroup.com](mailto:scm@scmgroup.com)  
[www.scmwood.com](http://www.scmwood.com)